

Ceiling unit
Pure'line 120 cm (without motor)
Stainless steel

EAN 5414425068456



Functions & features

▪ Control method	Push buttons + Remote control
▪ Number of speeds	3 + power
▪ Automatic Power revert (minutes)	6
▪ Motor	Without
▪ Sound absorber	Integrated
▪ InTouch function	Standard
▪ Auto stop	▪
▪ Delayed switch off (minutes)	10/30
▪ Number of grease filters	2
▪ Grease filter	6830020
▪ Grease filter cleaning indication	▪
▪ Recirculation filter cleaning indication	-

Dimensions

▪ Product dimensions (WxDxH) (mm)	1168 x 508 x 81
▪ Height incl. mounting clamps (without motorbox) (mm)	133
▪ Width flange (mm)	15
▪ Dimensions cut-out opening (WxD) (mm)	1145 x 485
▪ Advised mounting height induction hobs (Hmin-Hmax) (mm)	600 - 1600
▪ Advised mounting height gas hobs (Hmin-Hmax) (mm)	650 - 1600
▪ Advised mounting height ceramic hobs (Hmin-Hmax) (mm)	600 - 1600
▪ Diameter outlet (mm)	150
▪ Position exhaust	Top

Lighting

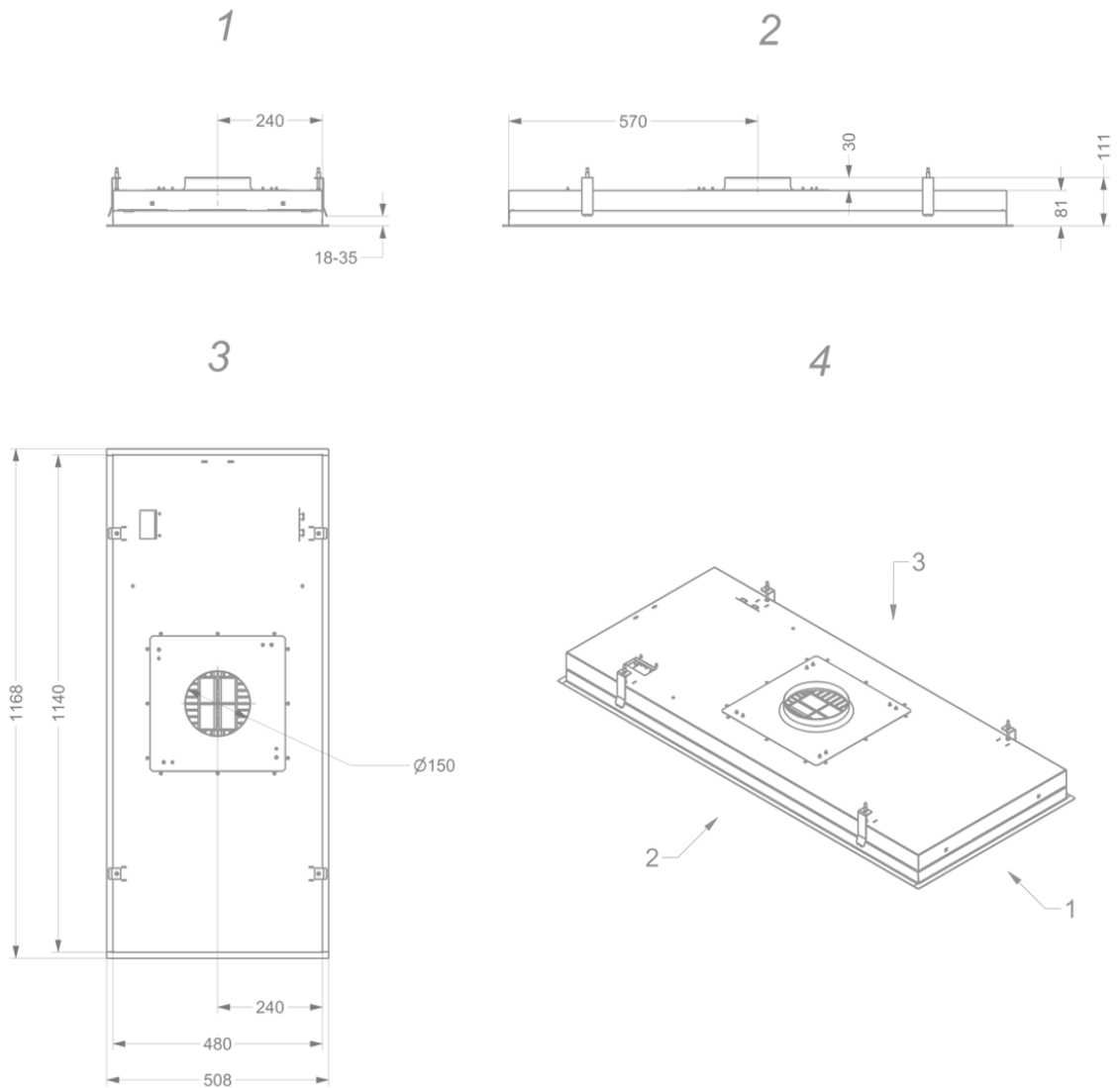
▪ Functional lighting type	Led
▪ Dimmable light	-
▪ Soft-ON/OFF	▪
▪ Total energy consumption functional light (W)	8
▪ Color functional light	2700/4000

Airflow and noise level

- Airflow (m³/h) measured according to
- Sound regulation according to

Technical specifications

▪ Maximum power	13
▪ Voltage (V)	220-230
▪ Frequency (Hz)	50
▪ Length power supply cord (m)	1,2
▪ Power consumption in stand-by-mode (Ps) (W)	0.25
▪ Net weight (kg)	19,5



Installation accessories

Dissociated motor

- 445999
- 645999
- 745999
- 655999
- 755999

Separate motor outdoor wall installation

Flat roof motor 48,8 cm high, 790 m³/h

Flat roof motor 48,8 cm high, 1.150 m³/h

Flat roof motor with silencer 78,4 cm high, 790 m³/h

Flat roof motor with silencer 78,4 cm high, 1.150 m³/h

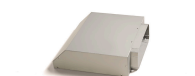
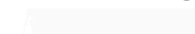
Extension cable

- 7000092

Extension cable 5 m

Accessories

Adapter for limited installation height



6830053

Adapter for limited installation height 17,3 cm

Control kit



990030

Control kit for external lighting or valve

